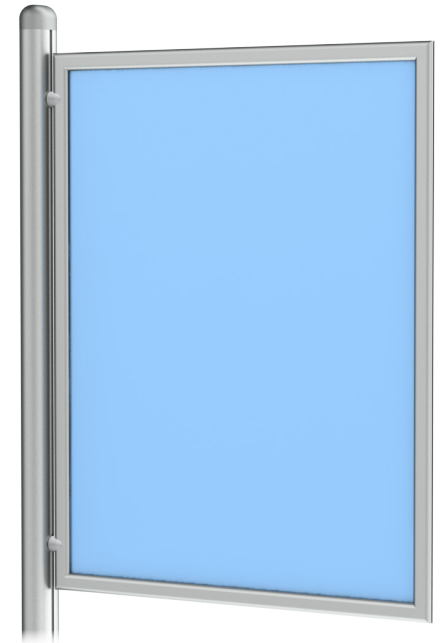
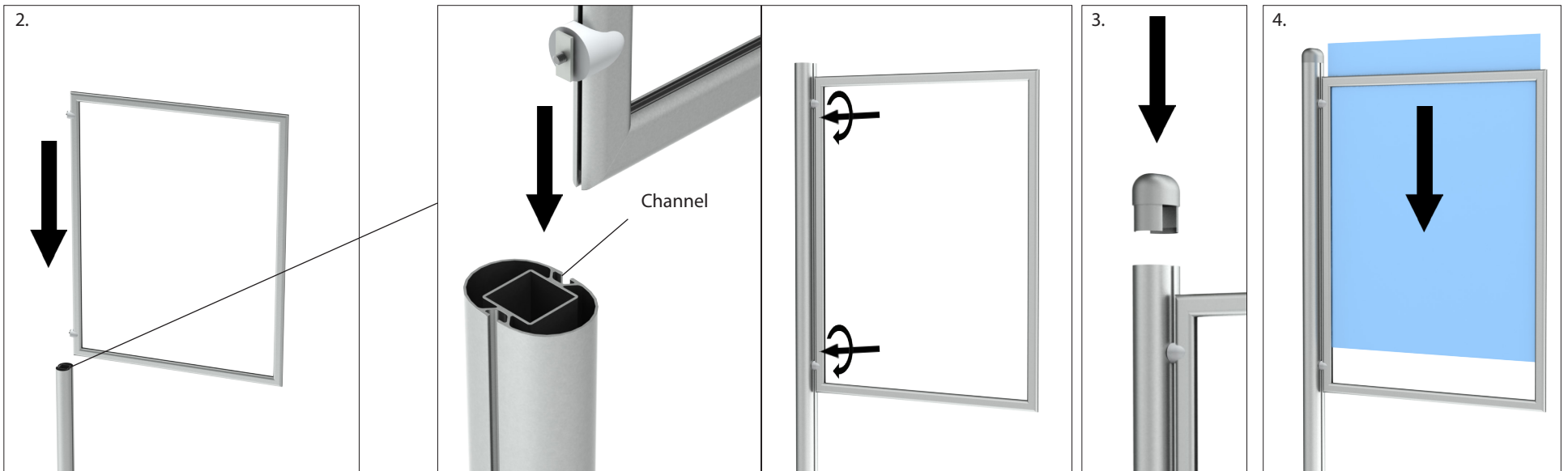
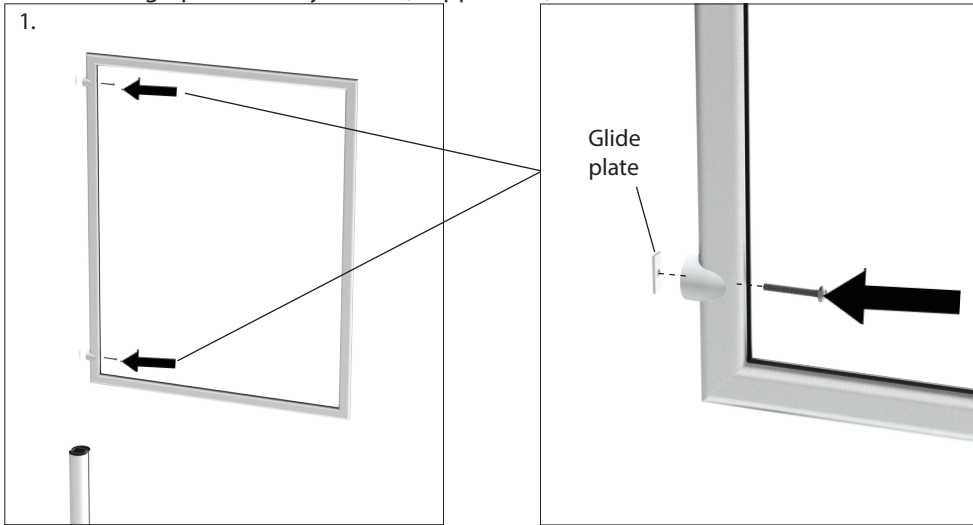


SignPost™ Frame, Side Mount - YPX-OF Series

1. Install the included screws through the holes on the side of the frame and into the glide plates with threaded holes. You want a loose connection between the screws and the glide plates, do not fully tighten yet.
2. This step is easiest with 2 people. Slide the glide plates into the channel of the SignPost Upright as shown in #2 below. This requires aligning the glide plates parallel to the upright and ensuring there's room between the glide plate and the frame so that the glide plate can enter the upright. Ensure both the top and bottom glide plates are in the upright channel. Adjust the height of the frame along the upright until you reach the desired height, then tighten both screws using a Phillips screw driver.
3. Attach the end cap to the top of the SignPost.
4. Insert the graphic and any lenses (if applicable).



YPX5-OF-S shown